

M12 male 0° / M12 female 0° CANopen/DeviceNet

RADOX EM 104 4x0.34 shielded bk 1,5m

DeviceNet, CANopen

Male straight – female straight

M12 – M12, 5-pole

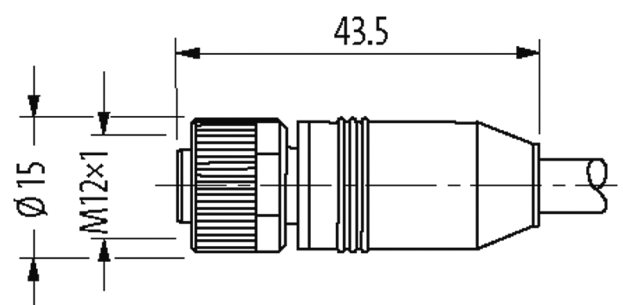
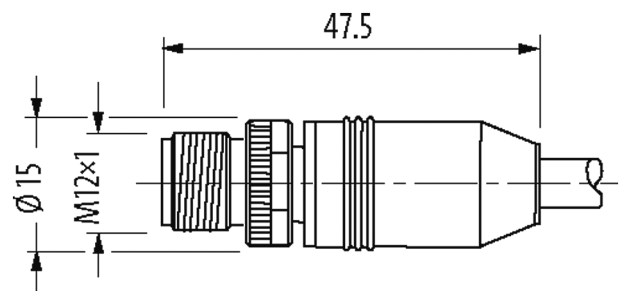
shielded

with cable sleeves

Plastic housings with good resistance against chemicals and oils.

The resistance to aggressive media should be individually tested for your application. Further details on request.

Further cable lengths on request.

[Link to Product](#)**Illustration**

Product may differ from Image

More Info

DeviceNet


Form

Form 40531

General data

Standards DIN EN 61076-2-101 (M12)

Mounting method inserted, tightened

Pollution Degree 3

Temperature range -25...+85 °C, depending on cable quality

Cables

Cable identification	R66
Cable weight [g/m]	77,00
Material (wire)	Cu wire, tin plated
Resistor (core)	max. 55 Ω/km (20 °C)
Single wire Ø (core)	0.18 mm
Construction (core)	19× 0.18 mm
Diameter (core)	4× 0.34 mm ²
AWG	similar to AWG 22
Wire-Ø incl. isolation	1.55 mm ±5%
Color/numbering of wires	wh, ye, bl, or
Shield	yes
Material (jacket)	Radox EM 104
Outer-Ø (jacket)	6.6 mm ±5%
Color (jacket)	black
Nominal voltage	300 V AC
Test voltage	2000 V AC
Temperature range (fixed)	-50...+90 °C
Temperature range (mobile)	-40...+90 °C
Bend radius (fixed)	6× outer Ø
Bend radius (moving)	10× outer Ø

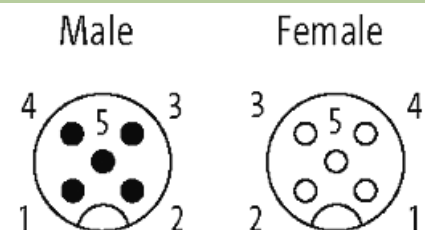
Technical Data

Operating voltage	max. 60 V AC/DC
Rated surge voltage	1.5 kV
Operating current per contact	max. 4 A
Material group	IEC 60664-1, category I
Coding	A-coded
Locking of ports	Screw thread (M12×1 mm) recommended torque 0.6 Nm, self-securing
Compression gland	M12 (SW13)
Locking material	Zinc die casting, matte nickel plated
Material	PUR
suitable for corrugated tube (internal Ø)	without

Commercial data

country of origin	DE
customs tariff number	85444290
EAN	4048879671897
eClass	27061801
Packaging unit	1

Sketch



Product may differ from Image